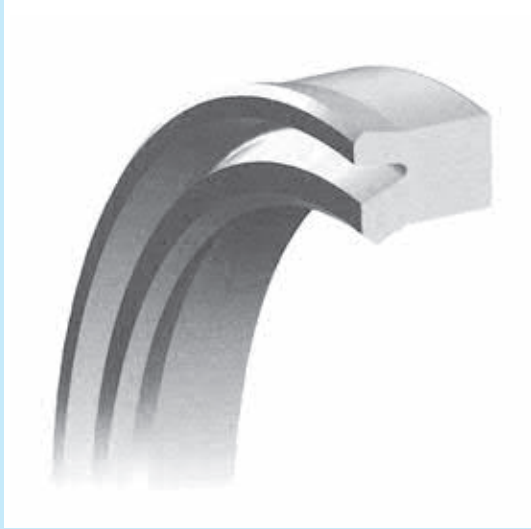


# IDI형

로드실 전용패킹  
우레탄(AU)



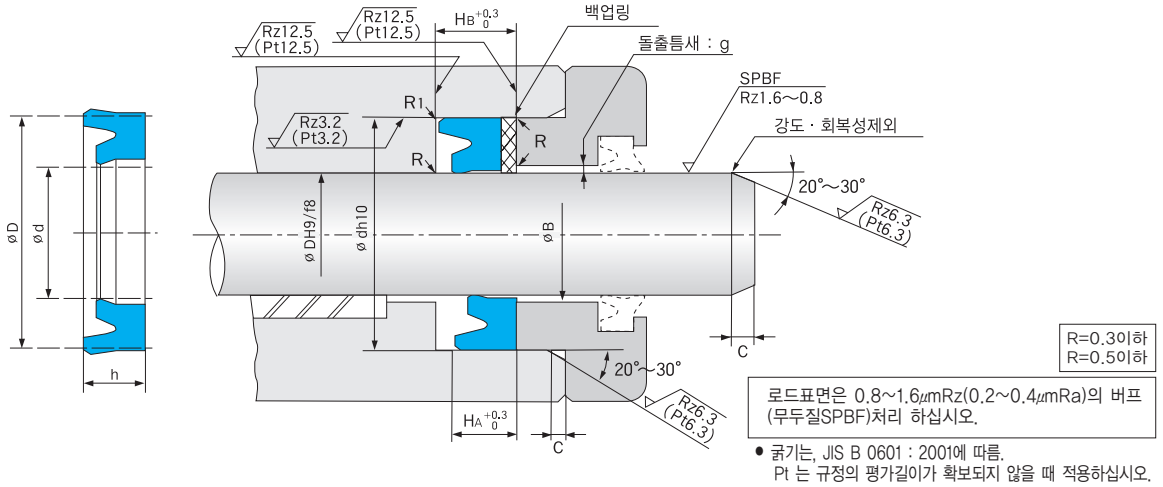
● 주문하실 때는 KNS부품번호 및 형식치수를 지정해 주십시오.

(예) 패킹 단체(單體)주문 · 형식치수  $\frac{\text{IDI} \quad 6.3 \quad 14.3 \quad 5}{\text{형식기호} \quad \text{패킹호칭치수}}$   
내경(d), 외경(D), 높이(h)의 순  
 · 부품번호 KFU0021F0

※ 병용 백업링을 주문하실 때는, KNS 부품번호 및 형식치수를 지정해 주십시오

· 형식치수  $\frac{\text{BRT3} \quad 6.3 \quad 14.3 \quad 2}{\text{형식기호} \quad \text{백업링 호칭치수}}$   
내경(d), 외경(D), 두께(t)순  
 · 부품번호 KGN7259V0 \* t = H<sub>b</sub> - H<sub>A</sub>(장착부치수)

재 료	KNS U801
특별 주문	이 치수표에 기재되어 있지 않은 치수 또는 치수표에 기재되어 있어도 표준 재료와 다른 재료 (고무)를 구하는 경우 새로운 성형형이 필요할 수가 있으므로 별도 견적서를 드립니다.



패킹호칭치수 및 장착부치수						패킹 부품 번호	병용백업링 부품번호	
d	D	h	HA	Hb	C		BRT3(엔드리스) 19YF	BRN3(엔드리스) 8ONP
6.3	14.3	5	5.7	7.7	2.5	※ KFU0021F0	KGN7259V0	KGN9822O0
	16.3	6	7	9		※ KFU0022F0	KGN0720V0	KGN9823O0
	16.3	7.5	8.5	10.5		KFU0023F0	KGN0720V0	KGN9823O0
	16.3	8	9	11		KFU0024F0	KGN0720V0	KGN9823O0
8	16	5	5.7	7.7		※ KFU0039F0	KGN7260V0	KGN9824O0
	18	6	7	9		※ KFU0041F0	KGN0725V0	KGN9101O1
	18	7.5	8.5	10.5		KFU0042F0	KGN0725V0	KGN9101O1
	18	8	9	11		KFU0043F0	KGN0725V0	KGN9101O1
9	17	5	5.7	7.7		※ KFU0051F0	KGN7261V0	KGN9825O0
	19	6	7	9		※ KFU0052F0	KGN0728V0	KGN9826O0
	19	7.5	8.5	10.5		KFU0053F0	KGN0728V0	KGN9826O0
	19	8	9	11		KFU0054F0	KGN0728V0	KGN9826O0
10	18	5	5.7	7.7	※ KFU0064F0	KGN7262V0	KGN9827O0	
	20	6	7	9	※ KFU0066F0	KGN0733V0	KGN9102O1	
	20	7.5	8.5	10.5	KFU0068F0	KGN0733V0	KGN9102O1	
	20	8	9	11	KFU0069F0	KGN0733V0	KGN9102O1	
11.2	19.2	5	5.7	7.7	※ KFU0078F0	KGN7236V0	KGN9792O0	
	21.2	6	7	9	※ KFU0079F0	KGN0736V0	KGN9828O0	
	21.2	7.5	8.5	10.5	KFU0080F0	KGN0736V0	KGN9828O0	
	21.2	8	9	11	KFU0081F0	KGN0736V0	KGN9828O0	
12.5	20.5	5	5.7	7.7	※ KFU0098F0	KGN7263V0	KGN9829O0	
	22.5	6	7	9	※ KFU0100F0	KGN0741V0	KGN9830O0	
	22.5	7.5	8.5	10.5	KFU0101F0	KGN0741V0	KGN9830O0	
	22.5	8	9	11	KFU0102F0	KGN0741V0	KGN9830O0	
14	22	5	5.7	7.7	※ KFU0116F0	KGN7238V0	KGN9794O0	
	24	6	7	9	※ KFU0120F0	KGN0745V0	KGN9103O1	
	24	7.5	8.5	10.5	KFU0121F0	KGN0745V0	KGN9103O1	
	24	8	9	11	KFU0122F0	KGN0745V0	KGN9103O1	
15	23	5	5.7	7.7	※ KFU0131F0	KGN7264V0	KGN9831O0	
	25	6	7	9	※ KFU0134F0	KGN0749V0	KGN9738O1	
	25	8	9	11	KFU0135F0	KGN0749V0	KGN9738O1	
	28	8	9	11	KFU0136F0	KGN6445V0	KGN9104O1	
16	28	10	11	13	KFU0137F0	KGN6445V0	KGN9104O1	
	24	5	5.7	7.7	※ KFU0150F0	KGN7265V0	KGN9832O0	
	26	6	7	9	※ KFU0155F0	KGN0751V0	KGN9105O1	
	26	7.5	8.5	10.5	KFU0156F0	KGN0751V0	KGN9105O1	
18	26	8	9	11	KFU0157F0	KGN0751V0	KGN9105O1	
	28	6	7	9	※ KFU0181F0	KGN0757V0	KGN9833O0	
	28	8	9	11	KFU0182F0	KGN0757V0	KGN9833O0	
	31	8	9	11	KFU0185F0	KGN6446V0	KGN9107O1	
31	10	11	13	KFU0186F0	KGN6446V0	KGN9107O1		

(주) ※ 표시치수 : 내압(耐壓)한계는 ISI형에 준합니다.

**B치수구하는 방법**

■ 백업링을 사용하는 경우

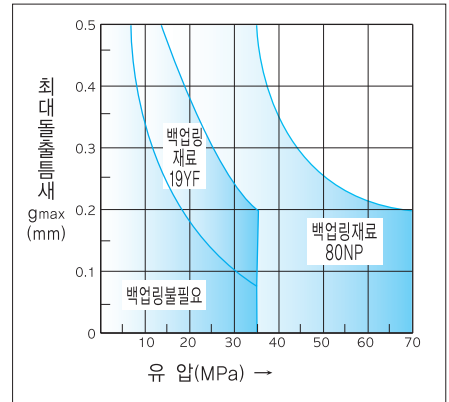
B치수는 아래표에 근거하여 설정하십시오. 실린더 구조상 B치수를 한층 더 작게 하는 경우 별도 KNS에 상담하십시오.

사용 최고 압력	14MPa	21MPa	35MPa
백업 링 재료	19YF		
B치수	$B \leq \phi d + 1.0$	$B \leq \phi d + 0.5$	$B \leq \phi d + 0.2$

사용 최고 압력	35MPa	42MPa	70MPa
백업 링 재료	80NP		
B치수	$B \leq \phi d + 0.8$	$B \leq \phi d + 0.4$	$B \leq \phi d + 0.2$

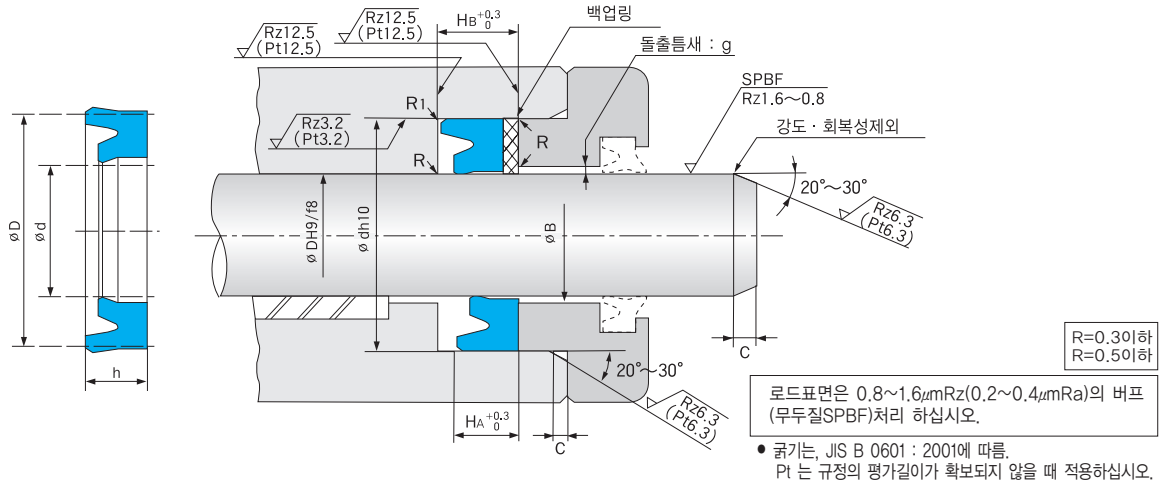
■ 백업링을 사용하지 않는 경우

B치수 결정시 피스톤의 편심(偏心)을 고려하여 최대돌출틈새(편측片側)를 오른쪽 대 프와 맞춰보십시오.



패킹호칭치수 및 장착부치수						패킹 부품 번호	병용백업링 부품번호	
d	D	h	HA	Hb	C		BRT3(엔드리스) 19YF	BRN3(엔드리스) 80NP
20	30	6	7	9	3.5	※ KFU0214F0	KGN0762V0	KGN9109O1
	30	8	9	11		KFU0215F0	KGN0762V0	KGN9109O1
	33	8	9	11		KFU0220F0	KGN6448V0	KGN9110O1
	33	10	11	13		KFU0221F0	KGN6448V0	KGN9110O1
22	35	10	11	13		KFU0249F0	KGN6449V0	KGN9110O1
	22.4	32.4	6	7		9	※ KFU0262F0	KGN0771V0
22.4	32.4	8	9	11		KFU0263F0	KGN0771V0	KGN9834O0
	35.4	8	9	11		KFU0264F0	KGN6107V0	KGN9798O0
	35.4	10	11	13		KFU0265F0	KGN6107V0	KGN9798O0
25	35	6	7	9		※ KFU0279F0	KGN0781V0	KGN9115O1
	35	8	9	11		KFU0282F0	KGN0781V0	KGN9115O1
	38	8	9	11		KFU0287F0	KGN6453V0	KGN9116O1
	38	10	11	13	KFU0288F0	KGN6453V0	KGN9116O1	
	40	9	10	12	KFU0291F0	KGN6591V0	KGN9800O0	
27	40	10	11	13	KFU0292F0	KGN6591V0	KGN9800O0	
	40	10	11	14	KFU2130F0	KGN6455V0	KGN9118O1	
28	38	6	7	10	※ KFU0322F0	KGN7268V0	KGN9835O0	
	38	8	9	12	KFU0323F0	KGN7268V0	KGN9835O0	
30	41	8	9	12	KFU0334F0	KGN6458V0	KGN9121O1	
	41	10	11	14	KFU0335F0	KGN6458V0	KGN9121O1	
	43	9	10	13	KFU0339F0	KGN0791V0	KGN9836O0	
	43	10	11	14	KFU0340F0	KGN0791V0	KGN9836O0	
	45	9	10	13	KFU0359F0	KGN6361V0	KGN9122O1	
31.5	45	10	11	14	KFU0364F0	KGN6459V0	KGN9123O1	
	45	8	9	12	KFU0367F0	KGN7061V0	KGN9801O0	
	45	10	11	14	KFU0368F0	KGN7061V0	KGN9801O0	
	46.5	9	10	13	KFU0383F0	KGN6460V0	KGN9124O1	
	46.5	10	11	14	KFU0384F0	KGN6460V0	KGN9125O1	
34	44.5	8	9	12	KFU0385F0	KGN6460V0	KGN9125O1	
	44.5	10	11	14	KFU0386F0	KGN0805V0	KGN9837O0	
	46.5	9	10	13	KFU0387F0	KGN0805V0	KGN9837O0	
	50	12	13	16	KFU0408F0	KGN6462V0	KGN9126O1	
35	45	8	9	12	KFU0427F0	KGN6463V0	KGN9127O1	
	50	9	10	13	KFU0436F0	KGN0816V0	KGN9128O1	
	50	10	11	14	KFU0437F0	KGN0816V0	KGN9128O1	
35.5	50	12	13	16	KFU0438F0	KGN0816V0	KGN9128O1	
	45.5	8	9	12	KFU0453F0	KGN7271V0	KGN9788O1	
	50.5	9	10	13	KFU0455F0	KGN0820V0	KGN9954O0	
	50.5	10	11	14	KFU0456F0	KGN0820V0	KGN9954O0	
	51.5	10	11	14	KFU0457F0	KGN6330V0	KGN9130O1	
	51.5	12	13	16	KFU0458F0	KGN6330V0	KGN9130O1	

(주) ※ 표시치수 : 내압(耐壓)한계는 ISI형에 준합니다.



패킹호칭치수 및 장착부치수						패킹 부품 번호	병용백업링 부품번호	
d	D	h	HA	HB	C		BRT3(엔드리스) 19YF	BRN3(엔드리스) 8ONP
40	50	8	9	12	4	K FU0498F0	K GN6465V0	K GN9131O1
	55	9	10	13		K FU0504F0	K GN6759V0	K GN9948O0
	55	10	11	14		K FU0505F0	K GN6759V0	K GN9948O0
	56	10	11	14		K FU0508F0	K GN6466V0	K GN9132O1
	56	12	13	16		K FU0509F0	K GN6466V0	K GN9132O1
45	55	8	9	12		K FU0569F0	K GN6467V0	K GN9133O1
	60	9	10	13		K FU0575F0	K GN0845V0	K GN9950O0
	60	10	11	14		K FU0577F0	K GN0845V0	K GN9950O0
	61	10	11	14		K FU0579F0	K GN6469V0	K GN9135O1
	61	12	13	16		K FU0580F0	K GN6469V0	K GN9135O1
47	63	12	13	16		K FU0591F0	K GN6471V0	K GN9137O1
50	60	8	9	12		K FU0620F0	K GN6302V0	K GN9138O1
	65	9	10	13		K FU0630F0	K GN6439V0	K GN9952O0
	65	10	11	14		K FU0631F0	K GN6439V0	K GN9952O0
	66	10	11	14		K FU0634F0	K GN6329V0	K GN9139O1
	66	12	13	16		K FU0635F0	K GN6329V0	K GN9139O1
	70	12	13	16		K FU0639F0	K GN6592V0	K GN9529O0
	70	13	13	16		K FU0682F0	K GN7008V0	K GN9803O0
53	65	8	9	12		K FU0696F0	K GN6472V0	K GN9141O1
	70	9	10	13		K FU0700F0	K GN6408V0	K GN9804O0
	70	10	11	14	K FU0701F0	K GN6408V0	K GN9804O0	
	71	10	11	14	K FU0703F0	K GN6473V0	K GN9142O1	
	71	12	13	16	K FU0704F0	K GN6473V0	K GN9142O1	
	75	12	13	16	K FU0708F0	K GN7249V0	K GN9807O0	
56	66	8	9	12	K FU0723F0	K GN6474V0	K GN9143O1	
	71	9	10	13	K FU0724F0	K GN7247V0	K GN9806O0	
	71	10	11	14	K FU0725F0	K GN7247V0	K GN9806O0	
	72	10	11	14	K FU0726F0	K GN7009V0	K GN9838O0	
	72	12	13	16	K FU0727F0	K GN7009V0	K GN9838O0	
	76	12	13	16	K FU0728F0	K GN0877V0	K GN9839O0	
	70	8	9	12	K FU0747F0	K GN6444V0	K GN9144O1	
	75	9	10	13	K FU0753F0	K GN6363V0	K GN9808O0	
60	75	10	11	14	K FU0754F0	K GN6363V0	K GN9808O0	
	76	10	11	14	K FU0756F0	K GN6476V0	K GN9146O1	
	76	12	13	16	K FU0757F0	K GN6476V0	K GN9146O1	
	80	12	13	16	K FU0761F0	K GN0886V1	K GN9953O0	
	73	8	9	12	K FU0787F0	K GN6477V0	K GN9147O1	
	78	9	10	13	K FU0788F0	K GN6304V0	K GN9840O0	
	78	10	11	14	K FU0789F0	K GN6304V0	K GN9840O0	
63	79	10	11	14	K FU0790F0	K GN7010V0	K GN9841O0	
	79	12	13	16	K FU0791F0	K GN7010V0	K GN9841O0	
	83	12	13	16	K FU0793F0	K GN0893V1	K GN9842O0	

**B치수구하는 방법**

■ 백업링을 사용하는 경우

B치수는 아래표에 근거하여 설정하십시오. 실린더 구조상 B치수를 한층 더 작게 하는 경우 별도 KNS에 상담하십시오.

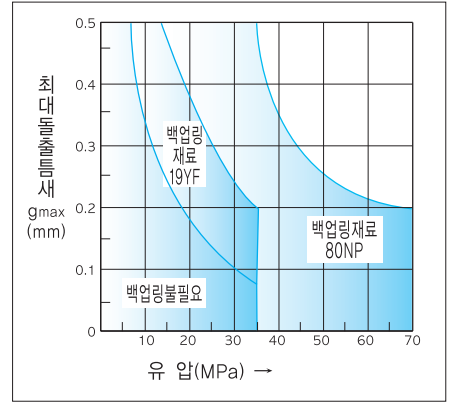
사용 최고 압력	14MPa	21MPa	35MPa
백업 링 재료	19YF		
B치수	$B \leq \phi d + 1.0$	$B \leq \phi d + 0.5$	$B \leq \phi d + 0.2$

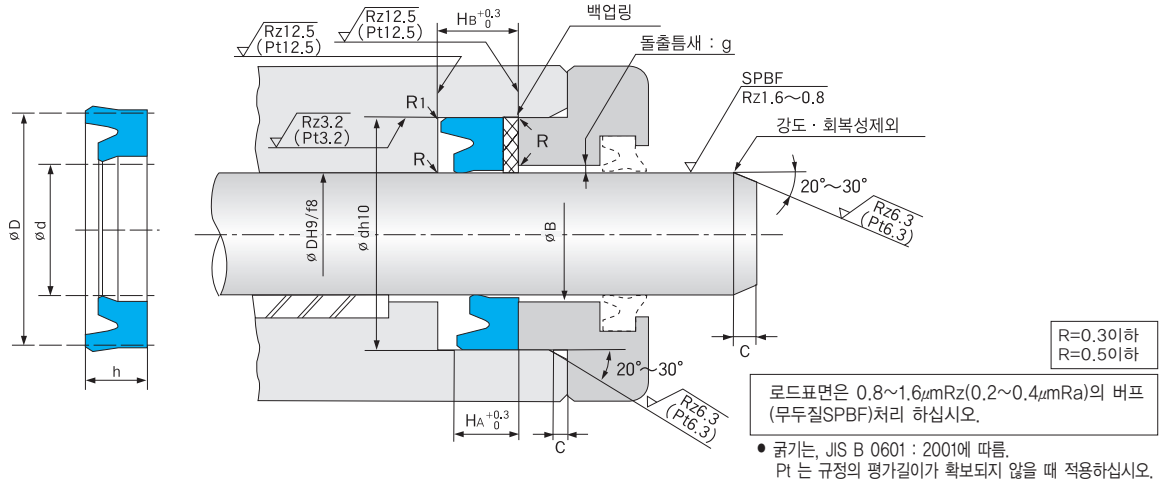
사용 최고 압력	35MPa	42MPa	70MPa
백업 링 재료	80NP		
B치수	$B \leq \phi d + 0.8$	$B \leq \phi d + 0.4$	$B \leq \phi d + 0.2$

■ 백업링을 사용하지 않는 경우

B치수 결정시 피스톤의 편심(偏心)을 고려하여 최대돌출틈새(편측片側)를 오른쪽 그레프와 맞춰보십시오.



패킹호칭치수 및 장착부치수						패킹 부품 번호	병용백업링 부품번호	
d	D	h	HA	HB	C		BRT3(엔드리스)	BRN3(엔드리스)
							19YF	80NP
64	80	12	13	16	4	K FU2131F0	K GN6478V0	K GN9148O1
65	75	8	9	12		K FU0810F0	K GN6479V0	K GN9149O1
	80	9	10	13		K FU0815F0	K GN6364V0	K GN9754O1
	80	12	13	16		K FU0816F0	K GN6364V0	K GN9754O1
67	85	12	13	16		K FU0819F0	K GN0899V0	K GN9810O0
	82	9	10	13		K FU0830F0	K GN7273V0	K GN9843O0
	87	15	16	19		K FU0832F0	K GN0904V0	K GN9844O0
70	80	8	9	12		K FU0850F0	K GN6362V1	K GN9092O1
	85	9	10	13		K FU0857F0	K GN6442V0	K GN9411O0
	85	10	11	14		K FU0858F0	K GN6442V0	K GN9411O0
	90	12	13	16	K FU0862F0	K GN0910V0	K GN9151O1	
	90	15	16	19	K FU0864F0	K GN0910V0	K GN9151O1	
71	81	8	9	12	5	K FU0881F0	K GN6482V0	K GN9153O1
	86	9	10	13		K FU0882F0	K GN6603V0	K GN9845O0
	86	10	11	14		K FU0883F0	K GN6603V0	K GN9845O0
	91	12	13	16		K FU0884F0	K GN0914V0	K GN9846O0
	91	15	16	19		K FU0885F0	K GN0914V0	K GN9846O0
	85	8	9	12		K FU0903F0	K GN6729V0	K GN9241O1
75	90	9	10	13		K FU0906F0	K GN6443V0	K GN9757O1
	90	10	11	14		K FU0907F0	K GN6443V0	K GN9757O1
	95	12	13	16		K FU0910F0	K GN0920V0	K GN9154O1
	95	15	16	19		K FU0911F0	K GN0920V0	K GN9154O1
	80	8	9	12	K FU0940F0	K GN6483V0	K GN9155O1	
80	95	9	10	13	K FU0942F0	K GN6898V0	K GN9582O0	
	95	10	11	14	K FU0943F0	K GN6898V0	K GN9582O0	
	100	12	13	16	K FU0948F0	K GN0927V0	K GN9156O1	
	100	15	16	19	K FU0949F0	K GN0927V0	K GN9156O1	
	85	100	10	11	14	K FU0985F0	K GN6484V0	K GN9091O1
		105	12	13	16	K FU0989F0	K GN0935V0	K GN9157O1
105		15	16	19	K FU0990F0	K GN0932V0	K GN9157O1	
90	105	10	11	14	K FU1025F0	K GN6485V0	K GN9158O1	
	110	12	13	16	K FU1030F1	K GN0939V0	K GN9159O1	
	110	15	16	19	K FU1031F0	K GN0939V0	K GN9159O1	
95	110	10	11	14	K FU1052F0	K GN6486V0	K GN9160O1	
	115	12	13	16	K FU1056F0	K GN0945V0	K GN9161O1	
	115	15	16	19	K FU1057F0	K GN0945V0	K GN9161O1	



패킹호칭치수 및 장착부치수						패킹 부품 번호	병용백업링 부품번호	
d	D	h	HA	Hb	C		BRT3(엔드리스) 19YF	BRN3(엔드리스) 8ONP
100	115	10	11	14	5	K FU1083F0	KGN6488V0	KGN9163O1
	120	12	13	16		K FU1089F0	KGN0952V0	KGN9164O1
	120	15	16	19		K FU1091F0	KGN0952V0	KGN9164O1
105	120	10	11	14		K FU1126F0	KGN6684V0	KGN9589O1
	125	15	16	19		K FU1129F0	KGN0959V0	KGN9165O1
	125	16	17	20		K FU1130F0	KGN0959V0	KGN9165O1
106	121	10	11	14		K FU1137F0	KGN7274V0	KGN9789O1
	126	15	16	19		K FU1138F0	KGN0961V0	KGN9847O0
	126	16	17	20		K FU1139F0	KGN0961V0	KGN9847O0
110	125	10	11	14		K FU1158F0	KGN6761V0	KGN9430O1
	130	15	16	19		K FU1165F0	KGN6790V0	KGN9694O0
	130	16	17	20		K FU1166F0	KGN6790V0	KGN9694O0
112	127	9	10	13		K FU1180F0	KGN7275V0	KGN9848O0
	127	10	11	14		K FU1181F0	KGN7275V0	KGN9848O0
	132	15	16	19		K FU1182F0	KGN0970V0	KGN9168O1
	132	16	17	20		K FU1183F0	KGN0970V0	KGN9168O1
118	133	10	11	14		K FU1206F0	KGN7276V0	KGN9790O1
	138	15	16	19		K FU1207F0	KGN0978V0	KGN9849O0
	138	16	17	20	K FU1208F0	KGN0978V0	KGN9849O0	
120	135	10	11	14	K FU1221F0	KGN6374V0	KGN9768O0	
	140	15	16	19	K FU1224F0	KGN0982V0	KGN9169O1	
	140	16	17	20	K FU1225F0	KGN0982V0	KGN9169O1	
125	140	10	11	14	K FU1253F0	KGN6491V0	KGN9170O1	
	145	12	13	16	K FU1256F0	KGN0986V0	KGN9850O0	
	145	16	17	20	K FU1258F0	KGN0986V0	KGN9850O0	
	150	19	20	23	K FU2132F0	KGN6135V0	KGN9171O1	
	150	20	21	24	K FU1260F0	KGN6135V0	KGN9171O1	
130	145	10	11	14	K FU1281F0	KGN6954V0	KGN9742O0	
	150	12	13	16	K FU1283F0	KGN6925V0	KGN9335O1	
	150	16	17	20	K FU1285F0	KGN6925V0	KGN9335O1	
132	157	20	21	24	K FU1295F0	KGN7013V0	KGN9813O0	
135	160	19	20	23	K FU2133F0	KGN6492V0	KGN9172O1	
	160	20	21	24	K FU2179F0	KGN6492V0	KGN9172O1	
140	155	10	11	14	K FU1324F0	KGN6728V0	KGN9410O1	
	160	12	13	16	K FU1325F0	KGN1002V0	KGN9668O0	
	160	16	17	20	K FU1328F0	KGN1002V0	KGN9668O0	
	165	19	20	23	K FU1332F0	KGN6494V0	KGN9174O1	
	165	20	21	24	K FU1333F0	KGN6494V0	KGN9174O1	
145	170	19	20	23	K FU2134F0	KGN6496V0	KGN9176O1	
	170	20	21	24	K FU2180F0	KGN6496V0	KGN9176O1	
					6.5			

**B치수구하는 방법**

■ 백업링을 사용하는 경우

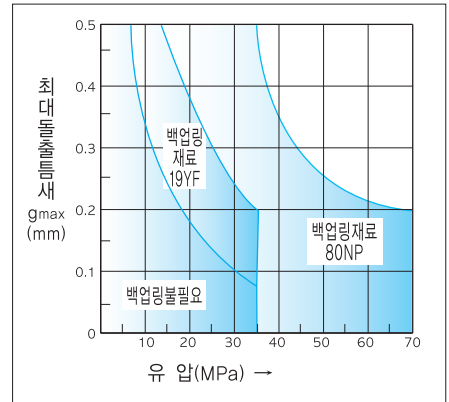
B치수는 아래표에 근거하여 설정하십시오. 실린더 구조상 B치수를 한층 더 작게 하는 경우 별도 KNS에 상담하십시오.

사용 최고 압력	14MPa	21MPa	35MPa
백업 링 재료	19YF		
B치수	$B \leq \phi d + 1.0$	$B \leq \phi d + 0.5$	$B \leq \phi d + 0.2$

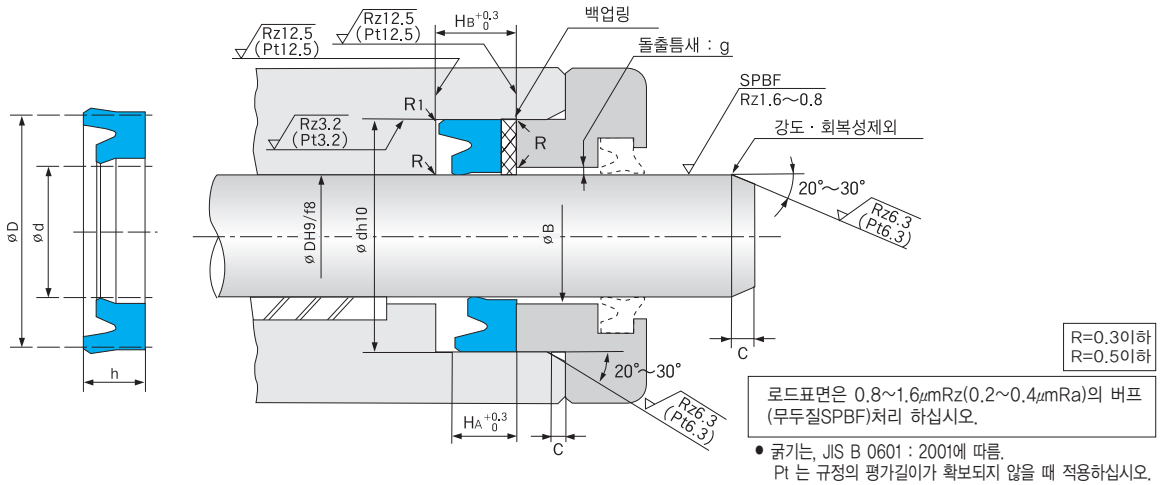
사용 최고 압력	35MPa	42MPa	70MPa
백업 링 재료	80NP		
B치수	$B \leq \phi d + 0.8$	$B \leq \phi d + 0.4$	$B \leq \phi d + 0.2$

■ 백업링을 사용하지 않는 경우

B치수 결정시 피스톤의 편심(偏心)을 고려하여 최대돌출틈새(편측片側)를 오른쪽 그레프와 맞춰보십시오.



패킹호칭 치수 및 장착부 치수						패킹 부품 번호	병용백업링 부품번호	
d	D	h	HA	HB	C		BRT3(엔드리스)	BRN3(엔드리스)
							19YF	80NP
150	165	10	11	14	6.5	K FU1360F0	K GN6497V0	KG N917701
	170	12	13	16		K FU1361F0	K GN10111V0	KG N967201
	170	16	17	20		K FU1364F0	K GN10111V0	KG N967201
	175	16	17	20		K FU1366F0	K GN7014V0	KG N964501
	175	20	21	24		K FU1368F0	K GN7014V0	KG N964501
155	180	19	20	24		K FU1393F0	K GN1016V0	KG N917901
	180	20	21	25		K FU2181F0	K GN1016V0	KG N917901
160	175	10	11	15		K FU1407F0	K GN6499V0	KG N918001
	180	12	13	17		K FU1409F0	K GN6905V0	KG N981400
	180	16	17	21		K FU1412F0	K GN6905V0	KG N981400
	185	16	17	21		K FU1414F0	K GN1020N0	KG N918101
	185	19	20	24		K FU2076F0	K GN1020N0	KG N918101
170	185	20	21	25		K FU1416F0	K GN1020N0	KG N918101
	185	10	11	15		K FU1444F0	K GN7064V0	KG N979101
	190	12	13	17		K FU1445F0	K GN6985V0	KG N981600
	190	16	17	21		K FU1447F0	K GN6985V0	KG N981600
	195	16	17	21		K FU1449F0	K GN1027V0	KG N985200
175	195	20	21	25		K FU1450F0	K GN1027V0	KG N985200
	200	19	20	24		K FU1463F0	K GN1031V0	KG N918601
180	200	20	21	25		K FU2182F0	K GN1031V0	KG N918601
	200	16	17	21		K FU1486F0	K GN6372V0	KG N918701
190	205	16	17	21		K FU1491F0	K GN1035V0	KG N918801
	205	19	20	24		K FU1492F0	K GN1035V0	KG N918801
	205	20	21	25		K FU1493F0	K GN1035V0	KG N918801
	210	16	17	21		K FU1518F0	K GN6505V0	KG N919001
199	215	16	17	21		K FU1520F0	K GN1042V0	KG N981800
	215	20	21	25		K FU1521F0	K GN1042V0	KG N981800
	219	11	12	16		K FU1530F0	K GN7279V0	KG N985300
	219	15	16	20		K FU1531F0	K GN7279V0	KG N985300
200	224	16	17	21		K FU1533F0	K GN1047V0	KG N982000
	224	19	20	24		K FU1535F0	K GN1047V0	KG N982000
	220	16	17	21		K FU1545F0	K GN6276V0	KG N919101
	225	16	17	21		K FU1548F0	K GN1050V0	KG N919201
	225	19	20	24		K FU2135F0	K GN1050V0	KG N919201
210	225	20	21	25		K FU1550F0	K GN1050V0	KG N919201
	230	16	17	21		K FU1576F0	K GN6352V0	KG N919501
	235	16	17	21		K FU1578F0	K GN1057V0	KG N985400
	235	19	20	24		K FU1580F0	K GN1057V0	KG N985400
220	235	20	21	25		K FU1581F0	K GN1057V0	KG N985400
	240	16	17	21		K FU1597F0	K GN6580V0	KG N919601
	245	16	17	21		K FU1598F0	K GN1063V0	KG N967000
	245	19	20	24		K FU1600F0	K GN1063V0	KG N967000
	245	20	21	25		K FU1601F0	K GN1063V0	KG N967000



패킹호칭치수 및 장착부치수						패킹 부품 번호	병용백업링 부품번호	
d	D	h	HA	HB	C		BRT3(엔드리스)	BRN3(엔드리스)
							19YF	8ONP
224	244	11	12	16	6.5	K FU1608F0	K GN7281V0	K GN9855O0
	244	15	16	20		K FU1610F0	K GN7281V0	K GN9855O0
	249	15	16	20		K FU1611F0	K GN7281V0	K GN9855O0
	249	18	19	23		K FU1612F0	K GN7281V0	K GN9855O0
	249	19	20	24		K FU1613F0	K GN7281V0	K GN9855O0
225	245	16	17	21		K FU1622F0	K GN6509V0	K GN9197O1
	250	16	17	21		K FU1624F0	K GN1065V0	K GN9045O1
	250	19	20	24		K FU1626F0	K GN1065V0	K GN9045O1
	250	20	21	25		K FU1627F0	K GN1065V0	K GN9045O1
230	250	16	17	21		K FU1638F0	K GN6510V0	K GN9047O1
	255	16	17	21		K FU1640F0	K GN1069V0	K GN9857O0
	255	19	20	24		K FU1642F0	K GN1069V0	K GN9857O0
	255	20	21	25		K FU1643F0	K GN1069V0	K GN9857O0
240	260	16	17	21		K FU1658F0	K GN6511V0	K GN9198O1
	265	16	17	21		K FU1661F0	K GN1073V0	K GN9858O0
	265	19	20	24	K FU1663F0	K GN1073V0	K GN9858O0	
	265	20	21	25	K FU1664F0	K GN1073V0	K GN9858O0	
250	270	16	17	21	K FU1679F0	K GN6512V0	K GN9199O1	
	275	16	17	21	K FU1681F0	K GN1078V0	K GN9200O1	
	275	19	20	24	K FU1683F0	K GN1078V0	K GN9200O1	
	275	20	21	25	K FU1684F0	K GN1078V0	K GN9200O1	
260	285	19	20	24	K FU1705F0	K GN6514V0	K GN9202O1	
	290	19	20	24	K FU1707F0	K GN1083V0	K GN9431O1	
265	297	24	25	29	K FU1714F0	K GN6515V0	K GN9204O1	
	297	25	26	30	K FU2183F0	K GN6515V0	K GN9204O1	
270	295	19	20	24	K FU1721F0	K GN6516V0	K GN9205O1	
	300	19	20	24	K FU1723F0	K GN1089V0	K GN9206O1	
	300	24	25	29	K FU1725F0	K GN1089V0	K GN9206O1	
	300	25	26	30	K FU1726F0	K GN1089V0	K GN9206O1	
280	305	19	20	24	K FU1734F0	K GN6518V0	K GN9208O1	
	310	19	20	24	K FU1736F0	K GN1093V0	K GN9859O0	
	312	24	25	29	K FU2136F0	K GN6519V0	K GN9209O1	
	312	25	26	30	K FU2184F0	K GN6519V0	K GN9209O1	
290	315	19	20	24	K FU1749F0	K GN6520V0	K GN9210O1	
	320	19	20	24	K FU1751F0	K GN1098V0	K GN9860O0	
300	325	19	20	24	K FU1763F0	K GN6521V0	K GN9211O1	
	330	19	20	24	K FU1765F0	K GN1103V0	K GN9235O1	
	332	24	25	29	K FU2137F0	K GN6522V0	K GN9212O1	
	332	25	26	30	K FU2185F0	K GN6522V0	K GN9212O1	