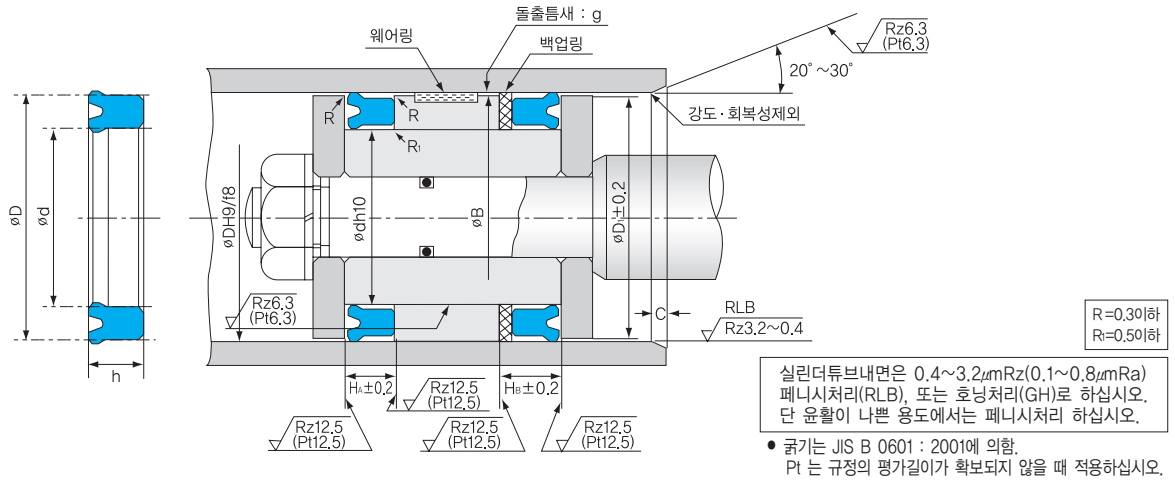


UPH형 피스톤 · 로드실 양용(兩用)패킹



패킹 호칭치수 및 장착부 치수						표준 (A505)		내열 (F357)		병용백업링 부품번호 BRN3(엔드레스)	
d	D	h	HA	HB	øD1	C	패킹부품번호	호칭번호	패킹부품번호	호칭번호	19YF
6.3	16.3	7.5	8.5	10.5	15.3	2.5	KCU3308D0	UPH-6.3			KCP0720V0
	16.3	8	9	11	15.3		KCU0024D0	UPH-6.3A			KGN0720V0
7.1	17.1	7.5	8.5	10.5	16.1		KCU3309D0	UPH-7.1			KGN0723V0
	17.1	8	9	11	16.1		KCU0030D0	UPH-7.1A			KGN0723V0
8	18	7.5	8.5	10.5	17		KCU0042D0	UPH-8			KGN0725V0
	18	8	9	11	17		KCU0043D1	UPH-8A	KCU0043D2	UPH-8AF	KGN0725V0
9	19	7.5	8.5	10.5	18		KCU3310D0	UPH-9			KGN0728V0
	19	8	9	11	18		KCU0054D0	UPH-9A			KGN0728V0
10	20	7.5	8.5	10.5	19		KCU0068D0	UPH-10			KGN0733V0
	20	8	9	11	19		KCU0069D1	UPH-10A			KGN0733V0
11.2	21.2	7.5	8.5	10.5	20.2		KCU3311D0	UPH-11.2			KGN0736V0
	21.2	8	9	11	20.2		KCU0081D0	UPH-11.2A			KGN0736V0
12	25	8	9	11	24		KCU0093D0	UPH-12	KCU0093D3	UPH-12F	KGN6005V0
	12.5	22.5	7.5	8.5	10.5		21.5	KCU3312D0	UPH-12.5		
22.5		8	9	11	21.5		KCU0102D0	UPH-12.5A			KGN0741V0
14	24	7.5	8.5	10.5	23		KCU0121D0	UPH-14			KGN0745V0
	24	8	9	11	23		KCU0122D0	UPH-14A	KCU0122D3	UPH-14AF	KGN0745V0
15	25	8	9	11	24		KCU0135D0	UPH-15A			KGN0749V0
	28	10	11	13	27		KCU0137D0	UPH-15			KGN6445V0
16	26	7.5	8.5	10.5	25		KCU0156D0	UPH-16	KCU0156D2	UPH-16F	KGN0751V0
	26	8	9	11	25	KCU0157D1	UPH-16A			KGN0751V0	
18	32	10	11	13	31	KCU0161D0	UPH-16B			KGN7288V0	
	28	8	9	11	27	KCU0182D0	UPH-18A	KCU0182D4	UPH-18AF	KGN0757V0	
18.5	31	10	11	13	30	KCU0186D0	UPH-18			KGN6446V0	
	33	10	11	13	32	KCU2196D0	UPH-18B			KGN7345V0	
20	31.5	10	11	13	30.5	KCU3313D0	UPH-18.5			KGN7240V0	
	30	8	9	11	29	KCU0215D1	UPH-20A	KCU0215D2	UPH-20AF	KGN0762V0	
21.5	33	10	11	13	32	KCU0221D0	UPH-20			KGN6448V0	
	35	10	11	13	34	KCU0224D0	UPH-20B			KGN7289V0	
22	31.5	8	9	11	30.5	KCU0239D0	UPH-21.5			KGN0767V0	
	35	10	11	13	34	KCU0249D0	UPH-22			KGN6449V0	
22.4	32.4	8	9	11	31.4	KCU0263D0	UPH-22.4A	KCU0263D3	UPH-22.4AF	KGN0771V0	
	35.4	10	11	13	34.4	KCU0265D1	UPH-22.4			KGN6017V0	
25	35	8	9	11	34	KCU0282D2	UPH-25A	KCU0282D3	UPH-25AF	KGN0781V0	
	38	10	11	13	37	KCU0288D0	UPH-25			KGN6453V0	
25.5	40	10	11	13	39	KCU0292D0	UPH-25B	KCU0292D4	UPH-25BF	KGN6591V0	
	45	12	13	15	44	KCU0301D0	UPH-25C			KGN7291V0	
27	35.5	8	9	12	34.5	KCU0309D0	UPH-25.5			KGN6454V0	
	40	10	11	14	39	KCU2347D0	UPH-27			KGN6455V0	
28	40	10	11	14	39	KCU0330D2	UPH-28A	KCU0330D6	UPH-28AF	KGN6457V0	
	41	10	11	14	40	KCU0335D0	UPH-28			KGN6458V0	
	43	10	11	14	42	KCU0340D0	UPH-28B			KGN0791V0	

(주)내열용은 부품번호와 제품의 표시가 다른 경우가 있습니다.

B치수구하는 방법

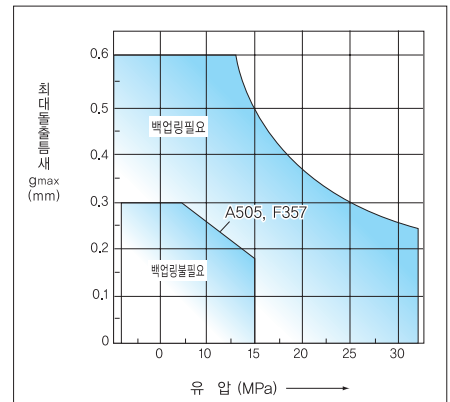
■ 백업링을 사용하는 경우

B치수는 아래에 기초하여 설정해주시고, 실린더의 구조상, 다시 B 치수를, 작게 (피스톤 씰의 경우) 또는 크게(로드 씰의 경우) 하는 경우는, 별도로 KNS 에 상담해 주십시오.

사용 최고 압력	15MPa	32MPa
백업 링 재료	19YF	
B치수	로드용 $B \leq \phi d + 1.0$	$B \leq \phi d + 0.5$
로드 씰	피스톤용 $B \geq \phi D - 1.0$	$B \geq \phi D - 0.5$

■ 백업링을 사용하지 않는 경우

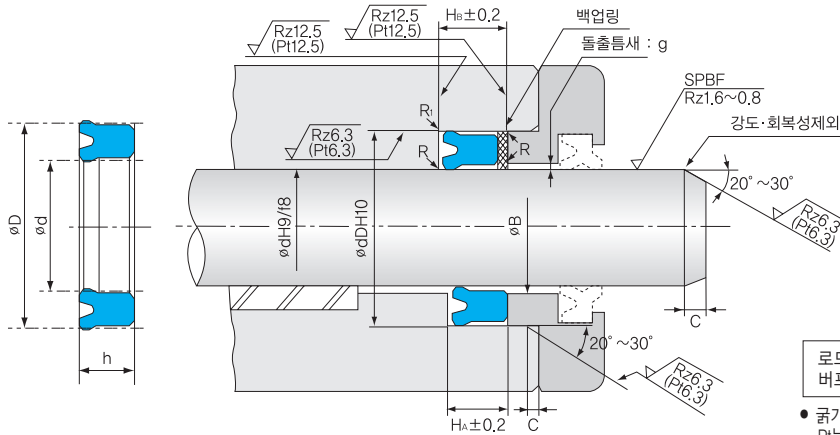
B치수 결정시 피스톤의 편심(偏心)을 고려하여 최대돌출틈새(편측片側)를 오른쪽 그레프와 맞춰보십시오.



패킹 호칭치수 및 장착부 치수							표준 (A505)		내열 (F357)		병용백업링 부품번호 BRN3(엔드레스) 19YF
d	D	h	HA	Hb	$\phi D1$	C	패킹부품번호	호칭번호	패킹부품번호	호칭번호	
30	43	10	11	14	42	3.5	KCU0364D0	UPH-30	KCU0364D2	UPH-30F	KGN6459V0
	45	10	11	14	44		KCU0368D2	UPH-30A	KCU0368D8	UPH-30AF	KGN7061V0
31.5	44.5	10	11	14	43.5		KCU0385D0	UPH-31.5			KGN6461V0
	46.5	10	11	14	45.5		KCU0387D1	UPH-31.5A			KGN0805V0
32	45	10	11	14	44		KCU2451D0	UPH-32			KGN7242V0
	46	10	11	14	45		KCU0403D0	UPH-32A			KGN6035V0
	48	10	11	14	47		KCU0404D0	UPH-32B			KGN7356V0
34	50	12	13	16	49		KCU0408D0	UPH-34			KGN6462V0
35	50	10	11	14	49		KCU0437D4	UPH-35B	KCU0437D5	UPH-35BF	KGN0816V0
	50	12	13	16	49		KCU0438D0	UPH-35			KGN0816V0
	51	12	13	16	50		KCU0441D0	UPH-35A			KGN7006V0
35.5	50.5	10	11	14	49.5		KCU0456D2	UPH-35.5A	KCU0456D6	UPH-35.5AF	KGN0820V0
	51.5	12	13	16	50.5		KCU0458D0	UPH-35.5	KCU0458D2	UPH-35.5F	KGN6330V0
38	52	10	11	14	51		KCU0470D1	UPH-38			KGN6046V0
40	55	10	11	14	54		KCU0505D3	UPH-40A	KCU0505D2	UPH-40AF	KGN6759V0
	56	10	11	14	55		KCU0508D0	UPH-40B			KGN6466V0
	56	12	13	16	55		KCU0509D0	UPH-40			KGN6466V0
	60	12	13	16	59		KCU0514D0	UPH-40C			KGN7293V0
41	56	10	11	14	55		KCU0523D0	UPH-41			KGN0835V0
45	60	10	11	14	59		KCU0577D5	UPH-45A	KCU0577D9	UPH-45AF	KGN0845V0
	60	12	13	16	59	KCU0578D0	UPH-45B			KGN0845V0	
	61	12	13	16	60	KCU0580D0	UPH-45	KCU0580D3	UPH-45F	KGN6469V0	
47	63	12	13	16	62	KCU0591D0	UPH-47			KGN6471V0	
48	63	10	11	14	62	KCU0601D1	UPH-48	KCU0601D4	UPH-48F	KGN0853V0	
50	65	10	11	14	64	KCU0631D2	UPH-50A	KCU0631D7	UPH-50AF	KGN6439V0	
	66	12	13	16	65	KCU0635D0	UPH-50	KCU0635D3	UPH-50F	KGN6329V0	
	70	12	13	16	69	KCU0639D3	UPH-50B	KCU0639D4	UPH-50BF	KGN6592V0	
51	71	12	13	16	70	KCU0669D0	UPH-51			KGN0862V0	
53	69	12	13	16	68	KCU3317D0	UPH-53			KGN7008V0	
	73	12	13	16	72	KCU0683D0	UPH-53A			KGN0869V0	
55	71	12	13	16	70	KCU0704D1	UPH-55			KGN6473V0	
	75	12	13	16	74	KCU0708D2	UPH-55A	KCU0708D6	UPH-55AF	KGN7249V0	
	80	15	16	19	79	KCU0712D0	UPH-55B			KGN6072V0	
56	72	12	13	16	71	KCU0727D0	UPH-56	KCU0727D2	UPH-56F	KGN7009V0	
	76	12	13	16	75	KCU0728D1	UPH-56A	KCU0728D4	UPH-56AF	KGN0877V0	
60	76	12	13	16	75	KCU0757D1	UPH-60			KGN6476V0	
	80	12	13	16	79	KCU0761D1	UPH-60A	KCU0761D6	UPH-60AF	KGN0886V1	
63	79	12	13	16	78	KCU0791D0	UPH-63			KGN7010V0	
	83	12	13	16	82	KCU0793D1	UPH-63A	KCU0793D3	UPH-63AF	KGN0893V1	
64	80	12	13	16	79	KCU2123D1	UPH-64	KCU2123D2	UPH-64F	KGN6478V0	
65	81	12	13	16	80	KCU3318D0	UPH-65			KGN7011V0	
	85	12	13	16	84	KCU0819D1	UPH-65A	KCU0819D2	UPH-65AF	KGN0899V0	

(주)내열용은 부품번호와 제품의 표시가 다른 경우가 있습니다.

UPH형 피스톤 · 로드실 양용(兩用)패킹



R = 0.3이하
R1 = 0.5이하

로드표면은 0.8~1.6 μ mRz(0.2~0.4 μ mRa)
버프(무두질SPBF)처리 하십시오.

● 굵기는 JIS B 0601 : 2001에 의한,
P는 규정의 평가길이 확보되지 않을 때 적용하십시오.

패킹 호칭치수 및 장착부 치수						표준 (A505)		내열 (F357)		병용백업링 부품번호 BRN3(엔드레스)	
d	D	h	HA	HB	$\phi D1$	C	패킹부품번호	호칭번호	패킹부품번호	호칭번호	19YF
67	87	12	13	16	86	5	KCU0831D0	UPH-67A	KCU0831D3	UPH-67AF	KGN0904V0
	87	15	16	19	86		KCU3319D0	UPH-67			KGN0904V0
70	90	12	13	16	89		KCU0862D1	UPH-70A	KCU0862D4	UPH-70AF	KGN0910V0
	90	15	16	19	89		KCU0864D0	UPH-70	KCU0864D2	UPH-70F	KGN0910V0
71	91	12	13	16	90		KCU0884D1	UPH-71A	KCU0884D3	UPH-71AF	KGN0914V0
	91	15	16	19	90		KCU0885D0	UPH-71			KGN0914V0
75	95	12	13	16	94		KCU0910D1	UPH-75A			KGN0920V0
	95	15	16	19	94		KCU0911D1	UPH-75	KCU0911D2	UPH-75F	KGN0920V0
80	100	12	13	16	99		KCU0948D1	UPH-80A	KCU0948D9	UPH-80AF	KGN0927V0
	100	15	16	19	99		KCU0949D2	UPH-80	KCU0949D3	UPH-80F	KGN0927V0
85	105	12	13	16	104		KCU0989D1	UPH-85A	KCU0989D3	UPH-85AF	KGN0932V0
	105	15	16	19	104		KCU0990D0	UPH-85			KGN0932V0
90	110	12	13	16	109		KCU1030D3	UPH-90A	KCU1030D7	UPH-90AF	KGN0939V0
	110	15	16	19	109		KCU1031D0	UPH-90	KCU1031D3	UPH-90F	KGN0939V0
92	112	12	13	16	111		KCU1042D1	UPH-92A			KGN0940V0
	112	15	16	19	111		KCU2132D1	UPH-92	KCU2132D2	UPH-92F	KGN0940V0
95	115	12	13	16	114		KCU1056D0	UPH-95A	KCU1056D4	UPH-95AF	KGN0945V0
	115	15	16	19	114		KCU1057D1	UPH-95	KCU1057D3	UPH-95F	KGN0945V0
100	120	15	16	19	118		KCU1061D0	UPH-95B			KGN6716V0
	120	12	13	16	118		KCU1089D3	UPH-100A	KCU1089D7	UPH-100AF	KGN0925V0
105	120	15	16	19	118		KCU1091D0	UPH-100	KCU1091D3	UPH-100F	KGN0925V0
	125	15	16	19	123		KCU1096D0	UPH-100B	KCU1096D3	UPH-100BF	KGN7297V0
106	125	15	16	19	123		KCU1129D2	UPH-105	KCU1129D4	UPH-105F	KGN0959V0
110	126	15	16	19	124		KCU1138D0	UPH-106			KGN0961V0
112	130	15	16	19	128		KCU1165D1	UPH-110	KCU1165D4	UPH-110F	KGN6790V0
115	132	15	16	19	130		KCU1182D0	UPH-112	KCU1182D3	UPH-112F	KGN0970V0
118	135	15	16	19	133		KCU1198D0	UPH-115			KGN0947V0
120	138	15	16	19	136		KCU1207D0	UPH-118	KCU1207D2	UPH-118F	KGN0978V0
125	140	15	16	19	138	KCU1224D2	UPH-120	KCU1224D1	UPH-120F	KGN0982V0	
130	145	15	16	19	143	KCU1257D0	UPH-125A			KGN0986V0	
	150	19	20	23	148	KCU1933D0	UPH-125	KCU1933D2	UPH-125F	KGN6135V0	
132	150	15	16	19	148	KCU1284D2	UPH-130A	KCU1284D4	UPH-130AF	KGN6925V0	
	155	19	20	23	153	KCU3320D0	UPH-130			KGN7012V0	
135	152	15	16	19	150	KCU1292D0	UPH-132A			KGN0944V0	
	157	19	20	23	155	KCU2703D1	UPH-132	KCU2703D2	UPH-132F	KGN7013V0	
140	155	15	16	19	153	KCU1305D0	UPH-135B			KGN0998V0	
	160	15.7	17	20	158	KCU3322D0	UPH-135A			KGN6492V0	
145	160	19	20	23	158	KCU1960D0	UPH-135			KGN6492V0	
	165	15	16	19	163	KCU1327D1	UPH-140A	KCU1327D4	UPH-140AF	KGN1002V0	
170	165	19	20	23	163	KCU1332D2	UPH-140			KGN6494V0	
	170	15	16	19	163	KCU1344D0	UPH-145A			KGN1007V0	
					168	KCU2348D0	UPH-145	KCU2348D1	UPH-145F	KGN6496V0	

B치수구하는 방법

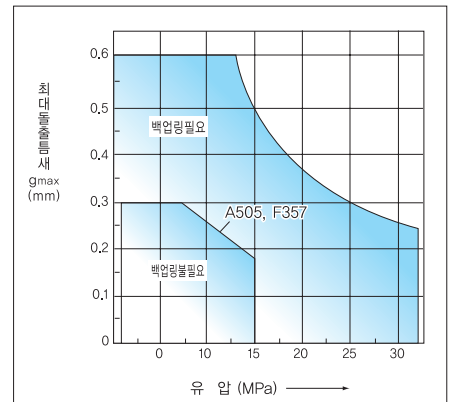
■ 백업링을 사용하는 경우

B치수는 아래에 기초하여 설정해주시고, 실린더의 구조상, 다시 B 치수를, 작게 (피스톤 씬의 경우) 또는 크게(로드 씬의 경우) 하는 경우는, 별도로 KNS 에 상담 해 주십시오.

사용 최고 압력	15MPa	32MPa
백업 링 재료	19YF	
B치수	로드용 $B \leq \phi d + 1.0$	$B \leq \phi d + 0.5$
로드 씬	피스톤용 $B \geq \phi D - 1.0$	$B \geq \phi D - 0.5$

■ 백업링을 사용하지 않는 경우

B치수 결정시 피스톤의 편심(偏心)을 고려하여 최대돌출틈새(편측片側)를 오른쪽 그레 프와 맞춰보십시오.



패킹 호칭치수 및 장착부 치수							표준 (A505)		내열 (F357)		병용백업링 부품번호 BRN3(엔드레스) 19YF
d	D	h	HA	Hb	$\phi D1$	C	패킹부품번호	호칭번호	패킹부품번호	호칭번호	
150	170	15	16	19	168	6.5	KCU1363D2	UPH-150A	KCU1363D3	UPH-150AF	KGN1011V0
	175	19	20	23	173		KCU1367D0	UPH-150			KGN7014V0
155	180	15	16	20	178		KCU1391D2	UPH-155B	KCU1391D4	UPH-155BF	KGN1016V0
	180	15.7	17	21	178		KCU3323D0	UPH-155A			KGN1016V0
160	180	19	20	24	178		KCU1393D0	UPH-155			KGN1016V0
	185	15	16	20	183		KCU1413D0	UPH-160A			KGN1020V0
165	185	19	20	24	183		KCU2349D0	UPH-160			KGN1020V0
	190	15	16	20	188		KCU1431D0	UPH-165A			KGN1023V0
170	190	19	20	24	188		KCU3324D0	UPH-165			KGN1023V0
	195	15	16	20	193		KCU1448D1	UPH-170A	KCU1448D3	UPH-170AF	KGN1027V0
175	195	19	20	24	193		KCU3325D0	UPH-170			KGN1027V0
	200	15	16	20	198		KCU1461D2	UPH-175B	KCU1461D3	UPH-175BF	KGN1031V0
180	200	15.7	17	21	198		KCU3326D0	UPH-175A			KGN1031V0
	200	19	20	24	198		KCU1463D1	UPH-175			KGN1031V0
185	205	15	16	20	203		KCU1490D0	UPH-180A			KGN1035V0
	205	19	20	24	203		KCU1492D0	UPH-180			KGN1035V0
190	210	15	16	20	208		KCU1504D0	UPH-185			KGN1039V0
	215	15	16	20	213		KCU1519D0	UPH-190A	KCU1519D2	UPH-190AF	KGN1042V0
199	215	19	20	24	213		KCU3327D0	UPH-190			KGN1042V0
	224	15	16	20	222		KCU1532D0	UPH-199B			KGN1047V0
200	224	15.7	17	21	222		KCU3329D0	UPH-199A			KGN1047V0
	224	19	20	24	222		KCU1535D0	UPH-199			KGN1047V0
210	225	15	16	20	223		KCU1547D0	UPH-200A	KCU1547D4	UPH-200AF	KGN1050V0
	225	19	20	24	223		KCU2350D0	UPH-200			KGN1050V0
212	237	19	20	24	235		KCU1579D0	UPH-210			KGN1057V0
215	240	19	20	24	238		KCU1585D0	UPH-212			KGN1058V0
224	249	19	20	24	247		KCU3331D0	UPH-215			KGN7256V0
225	250	18	19	23	248		KCU2926D0	UPH-224	KCU2926D1	UPH-224F	KGN7282V0
	250	19	20	24	248		KCU1625D0	UPH-225A			KGN1065V0
236	250	19	20	24	248		KCU1626D0	UPH-225	KCU1626D1	UPH-225F	KGN1065V0
	261	19	20	24	259	KCU1649D1	UPH-236			KGN6191V0	
250	275	19	20	24	273	KCU1683D1	UPH-250			KGN1078V0	
255	280	19	20	24	278	KCU1694D0	UPH-255	KCU1694D3	UPH-255F	KGN6513V0	
265	297	24	26	30	295	KCU1714D0	UPH-265			KGN6515V0	
270	300	18	19	23	298	KCU1722D0	UPH-270A			KGN1089V0	
	300	24	26	30	298	KCU1725D0	UPH-270	KCU1725D1	UPH-270F	KGN1089V0	
280	310	22	24	28	308	KCU2774D0	UPH-280A			KGN1093V0	
	312	24	26	30	310	KCU2166D0	UPH-280	KCU2166D1	UPH-280F	KGN6519V0	
283	315	24	26	30	313	KCU1918D0	UPH-283			KGN7358V0	
290	320	18	19	23	318	KCU1750D0	UPH-290A			KGN1098V0	
	320	22	24	28	318	KCU1752D0	UPH-290			KGN1098V0	
300	332	24	26	30	330	KCU2351D0	UPH-300			KGN6522V0	

(주)내열용은 부품번호와 제품의 표시가 다른 경우가 있습니다.

[대경(大徑)치수표]

■ 대경(大徑)치수를 사용하실때는 KNS에 상담하세요.

패킹 호칭치수 및 장착부 치수							표준 (A505)		내열 (F357)		병용백업링 부품번호 BRN3(엔드레스)
d	D	h	HA	Hb	φD1	C	패킹부품번호	호칭번호	패킹부품번호	호칭번호	19YF
310	340	18	19	23	338	10	KCU1772D0	UPH-310A			
	340	22	24	28	338		KCU1773D0	UPH-310	KCU1773D2	UPH-310F	
315	347	24	26	30	345		KCU3064D0	UPH-315			
320	340	12	13	17	338		KCU2101D0	UPH-320A			
	350	22	24	28	348		KCU1780D0	UPH-320			
323	355	24	26	30	353		KCU1784D0	UPH-323			
330	355	16	17	21	353		KCU1786D0	UPH-330A			
	356	20	22	26	354		KCU1787D0	UPH-330B			
	360	22	24	28	358		KCU1789D0	UPH-330			
335	355	14	15	19	353		KCU1793D1	UPH-335A			
	367	24	26	30	365		KCU2197D0	UPH-335			
340	370	22	24	28	368		KCU1795D0	UPH-340			
345	365	14	15	19	363		KCU2243D0	UPH-345			
350	370	14	15	19	368		KCU2302D0	UPH-350A			
	380	22	24	28	378		KCU1799D2	UPH-350			
355	385	22	24	28	383		KCU1801D0	UPH-355A			
	387	24	26	30	385		KCU1916D0	UPH-355			
360	390	22	24	28	388		KCU1803D0	UPH-360	KCU1803D2	UPH-360F	
365	395	22	24	28	393		KCU1805D0	UPH-365			
368	400	24	26	30	398		KCU1807D0	UPH-368	KCU1807D1	UPH-368F	
370	400	23	25	29	398		KCU1810D0	UPH-370A			
	400	25	27	31	398		KCU1811D0	UPH-370			
371	396	16	17	21	394		KCU2303D0	UPH-371			
375	407	24	26	30	405		KCU3357D0	UPH-375			
380	400	15	16	20	398		KCU1813D0	UPH-380A			
	410	15	16	20	408		KCU1815D0	UPH-380B			
	420	30	32	36	418		KCU2162D0	UPH-380			
390	420	22	24	28	418		KCU1818D0	UPH-390			
395	425	22	24	28	423		KCU1819D0	UPH-395			
400	430	22	24	28	428		KCU1823D0	UPH-400A			
	430	25	27	31	428		KCU2007D0	UPH-400B			
	432	24	26	30	430		KCU3358D0	UPH-400			

(주1) 대경(大徑) 치수(내경(d) 구분300mm를 초과한 치수)에 대해서는, 재고의 유무를 문의해 주세요.
 (주2) 대경(大徑) 치수를 사용하실 때는, KNS에 상담해 주세요.
 (주3) 대경(大徑) 치수는, 표준A505 외에, A104 (고무경도80°),A606 (고무경도80°)도 사용하고 있습니다.
 (주4) 대경(大徑) 치수의 백업링을 구분하실 때는, KNS에 상담해 주세요.

패킹 호칭치수 및 장착부 치수							표준 (A505)		내열 (F357)		병용백업링 부품번호 BRN3(엔드레스)
d	D	h	HA	Hb	φD1	C	패킹부품번호	호칭번호	패킹부품번호	호칭번호	19YF
420	455	25	27	32	453	10	KCU1833D0	UPH-420			
425	457	24	26	31	455		KCU1917D0	UPH-425			
430	470	20	22	27	468		KCU1837D0	UPH-430			
435	470	25	27	32	468		KCU1841D0	UPH-435			
440	480	35	37	42	478		KCU1843D0	UPH-440			
445	470	18	19	24	468		KCU2244D0	UPH-445			
450	480	22	24	29	478		KCU1844D0	UPH-450A			
	482	24	26	31	480		KCU3359D0	UPH-450			
460	500	20	22	27	498		KCU1850D0	UPH-460			
475	507	24	26	31	505		KCU1853D0	UPH-475			
480	505	18	19	24	503		KCU2245D0	UPH-480A			
490	530	25	27	32	528		KCU1855D0	UPH-490			
520	550	17	18	23	548		KCU2189D0	UPH-520A			
525	555	15	16	21	553		KCU1860D0	UPH-525			
530	570	20	22	27	568		KCU2084D0	UPH-530A			
540	560	14	15	20	558		KCU2037D0	UPH-540			
570	600	17	18	23	598		KCU2190D0	UPH-570A			
600	630	20	22	27	628		KCU2160D0	UPH-600A			
	630	28	30	35	628		KCU2036D0	UPH-600B			
	640	30	32	37	638		KCU1868D0	UPH-600			
640	685	25	27	32	683		KCU2284D0	UPH-640			
700	730	15	16	21	728		KCU1873D0	UPH-700A			
760	800	34	36	41	798		KCU1877D0	UPH-760			
768	800	30	32	37	798		KCU1878D0	UPH-768			
818	850	24	26	31	848	KCU1882D1	UPH-818				
825	850	15.5	16.5	21.5	848	KCU1883D0	UPH-825A				
	860	27	29	34	858	KCU2124D0	UPH-825				
925	950	14	15	20	948	KCU2325D0	UPH-925				
	950	980	20	22	978	KCU1892D0	UPH-950				
1020	1050	18	19	24	1048	KCU1894D0	UPH-1020A				
1025	1055	15	16	21	1053	KCU1895D0	UPH-1025				
1100	1140	20	22	27	1138	KCU2192D0	UPH-1100				
1220	1280	30	32	37	1278	KCU1899D0	UPH-1220				
1560	1600	20	22	27	1598	KCU2191D0	UPH-1560				
1620	1680	30	32	37	1678	KCU1904D0	UPH-1620				

(주1) 대경(大徑) 치수(내경(d) 구분300mm를 초과한 치수)에 대해서는, 재고의 유무를 문의해 주세요.

(주2) 대경(大徑) 치수를 사용하실 때는, KNS에 상담해 주세요.

(주3) 대경(大徑) 치수는, 표준A505 외에, A104 (고무경도80°), A606 (고무경도80°)도 사용하고 있습니다.

(주4) 대경(大徑) 치수의 백업링을 구분하실 때는, KNS에 상담해 주세요.